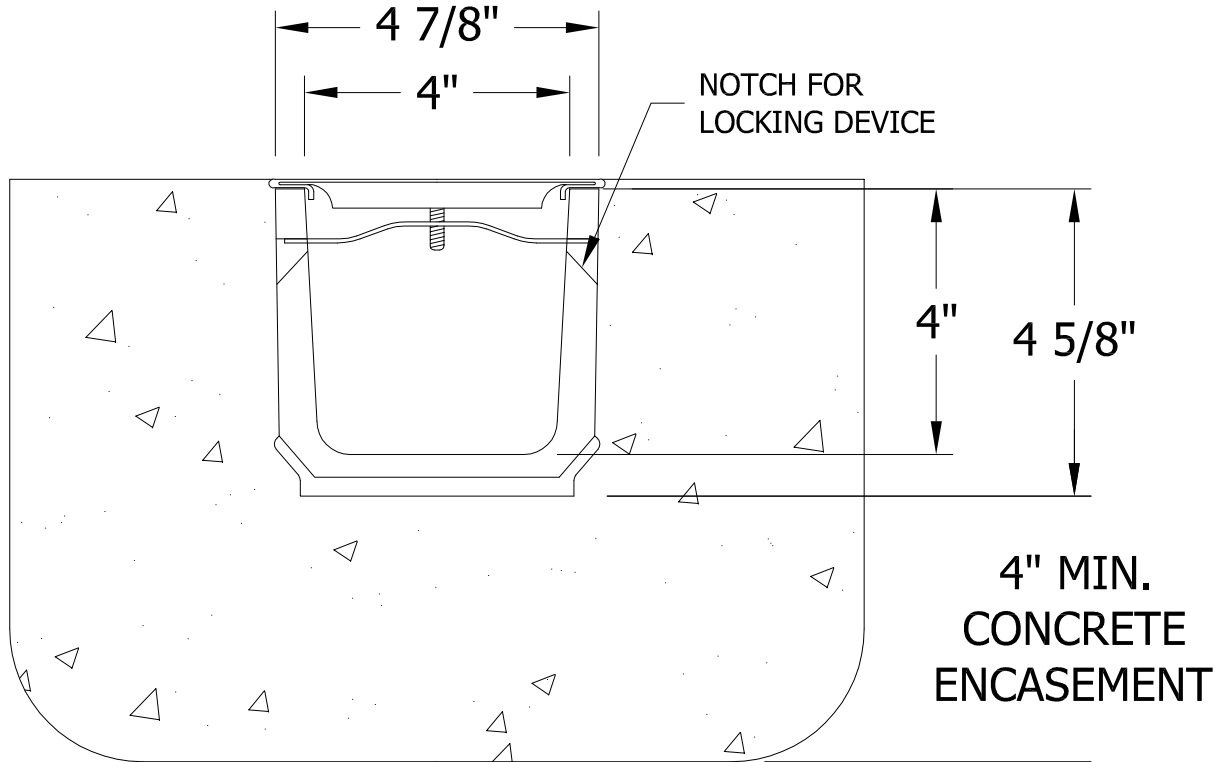


PLAN VIEW

GALV. SLOTTED GRATE #S211



SECTION VIEW

**POLYSELF CHANNEL
GALV. SLOTTED GRATE**

Supplied By:
**TRENCHDRAIN
 SUPPLY**
 877-903-7246
 www.trenchdrainsupply.com

ABT, INC.
 POLYDRAIN® TRENCH FORMER®
 P.O. BOX 837, 259 MURDOCK ROAD
 TROUTMAN, NC 28166
 (704) 528-9806

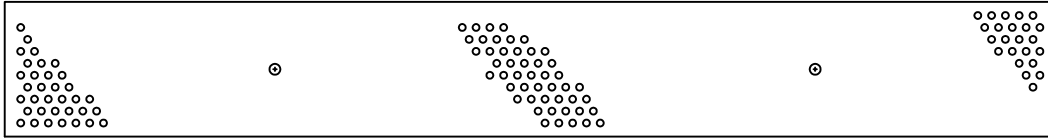
TITLE: **POLYSELF POLYMER CONCRETE
 CHANNEL WITH GALV. SLOTTED GRATE**

DRAWN BY: B.A.H. CHECKED BY: B.P.D.
 SCALE: NONE DATE: 06/11/09

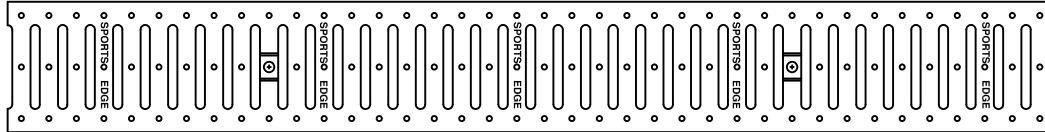
DRAWING NUMBER: **A-S211**

Proprietary rights of ABT, Inc. are included in the information disclosed herein. The recipient, by accepting this document, agrees that neither this document nor the information disclosed herein nor any part thereof shall be copied, reproduced or transferred to others for manufacturing or for any other purpose except as specifically authorized in writing by ABT, Inc..

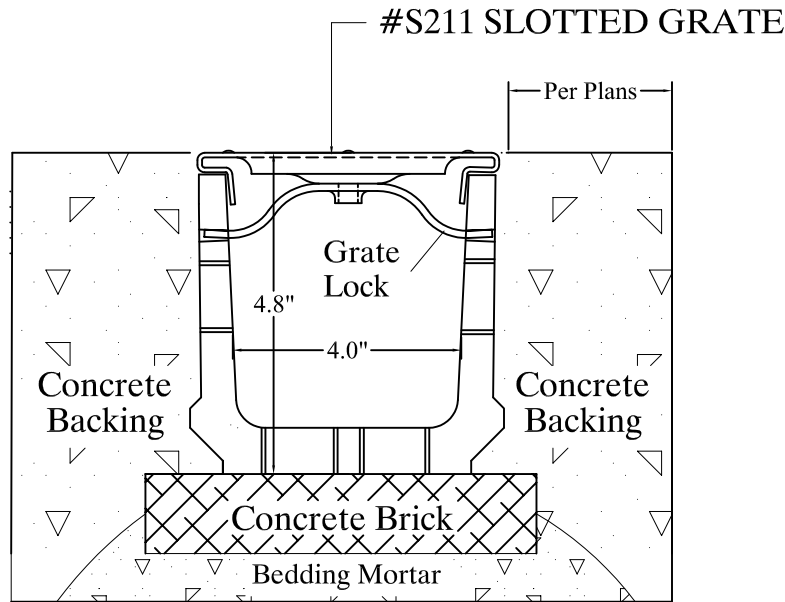
DISCLAIMER: The customer and the customer's architects, engineers, consultants and other professionals are completely responsible for the selection, installation, and maintenance of any product purchased from ABT, and EXCEPT AS EXPRESSLY PROVIDED IN ABT'S STANDARD WARRANTIES, ABT MAKES NO WARRANTY, EXPRESS OR IMPLIED, AS TO THE SUITABILITY, DESIGN, MERCHANTABILITY, OR FITNESS OF THE PRODUCT FOR CUSTOMER'S APPLICATION. Copies of ABT's standard warranties are available upon request.



#S410 GALVANIZED STEEL PERFORATED GRATE- 1 METER



#S211 GALVANIZED STEEL SLOTTED GRATE - 1 METER



**POLYSELF CHANNEL TYPICAL INSTALLATION
WITH GALVANIZED GRATE & NO H-EDGING**

Supplied By:

**TRENCH DRAIN
SUPPLY**

877-903-7246

www.trenchdrainsupply.com

ABT, INC.

POLYDRAIN® TRENCH FORMER®
P.O. BOX 837, 259 MURDOCK ROAD
TROUTMAN, NC 28166
(704) 528-9806

TITLE: POLYSELF INSTALLATION
WITH S211 OR S410 GRATE

DRAWN BY: T.L.

CHECKED BY:

DRAWING NUMBER:

SCALE: N.T.S.

DATE: 1-19-05

A-

PSS211

Proprietary rights of ABT, Inc. are included in the information disclosed herein. The recipient, by accepting this document, agrees that neither this document nor the information disclosed herein nor any part thereof shall be copied, reproduced or transferred to others for manufacturing or for any other purpose except as specifically authorized in writing by ABT, Inc..

DISCLAIMER: The customer and the customer's architects, engineers, consultants and other professionals are completely responsible for the selection, installation, and maintenance of any product purchased from ABT, and EXCEPT AS EXPRESSLY PROVIDED IN ABT'S STANDARD WARRANTIES, ABT MAKES NO WARRANTY, EXPRESS OR IMPLIED, AS TO THE SUITABILITY, DESIGN, MERCHANTABILITY, OR FITNESS OF THE PRODUCT FOR CUSTOMER'S APPLICATION. Copies of ABT's standard warranties are available upon request.